



Solis 32

32" Solar Powered Wireless ePaper Poster - Evaluation Kit

The revolutionary Solis™ 32 from Agile Display Solutions is the first full-color digital display that requires no maintenance whatsoever. Using Spectra™ 6 technology from E Ink, it attaches to a wall or shelf as easily as a poster. Hang one, dozens, or thousands of displays, with no cables required, and never touch them again.

A top-mounted solar array powers the display indefinitely under normal store lighting. Control all displays and schedule content simply and wirelessly from your central office, using your existing CMS network. Setting up each display requires less than 5 minutes using a mobile app available on Apple's App Store or Google's Play Store. The future of retail display technology has truly arrived.

Key Features

- No Cables or Battery Charging Required**
 Hang once, never touch again
 Place in aisles, endcaps or areas where digital signage was previously impractical
 Significantly reduces installation cost vs. LCD
 Eliminates labor and improves ROI
- The Most Sustainable Signage Solution, Period**
 No printing, no errors, no shipping, no waste
 Consumes no electricity whatsoever
 Eliminates battery waste in landfills
 Advances your company's ESG objectives
- Configurable, to Fit Your Needs**
 Accepts up to 3 Solar Modules per display, depending on your use requirements
 Supports landscape and portrait
 Works in a wide range of indoor lighting conditions
- Compatible with your CMS Network**
 ACE (Agile Conversion Engine) allows operating displays using existing CMS providers
- Cutting-edge E Ink Spectra 6 technology**
 2560x1440 resolution, 65,000 colors
 Renowned sheen and legibility of ePaper

Solis 32 32" Solar Powered Wireless ePaper Poster

EVALUATION KIT

Included in Kit (1) Display, (2) Long Solar Modules, (1) Short Solar Module

DISPLAY

Size	31.5"
Resolution	2560x1440 Pixels
Finish	Matte Reflective (Paper-Like)
Colors	65,000 Colors
Time To Change Image	approx. 18 Seconds
Portrait/Landscape	Mount Horizontally or Vertically
Construction	Aluminum
Mounting	100 x 100 VESA or D-Ring Picture Hangers

PROCESSING

Storage	128 MB
Controls	On / Off / Playlist Advance
Firmware Updates	Automatic Over-the-Air (OTA) Updates

CONNECTIVITY

Wireless Connectivity	Wi-Fi
Supported File Formats	BMP, PNG, JPG, JFIF
Playlist Scheduling	Via ACE connection to CMS Provider
System Monitoring	Via ACE connection to CMS Provider
Provisioning and Setup	Using ePaper Tool™ mobile app (iOS and Android)

POWER

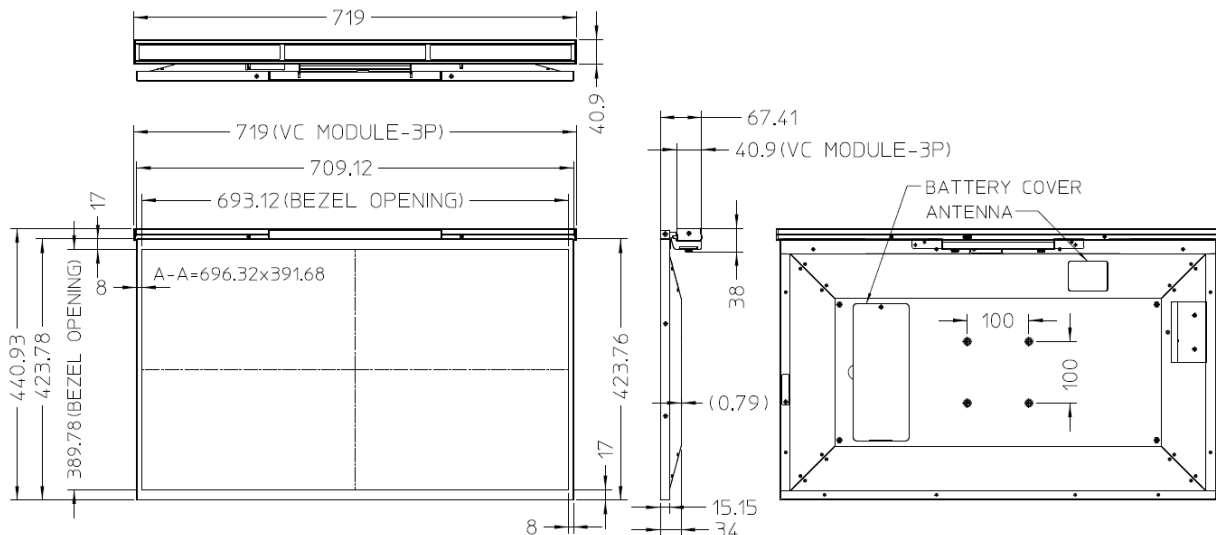
Solar Modules	Up to 3 Solar Modules per display
Supported Indoor Lighting Conditions	500-1000 lux, 12-24 hours per day
Nominal Battery Life	Unlimited battery life for up to 3 image changes per day ¹

ENVIRONMENTAL

Operating Temperature	5 – 35 C
Operating Humidity	20 - 80% RH

DIMENSIONS

Dimensions (Display Only)	423.8 x 709.1 x 34 mm (16.7 x 27.9 x 1.34 in)
Dimensions (Display with Solar Modules Attached)	440.9 x 719 mm x 67.4 (17.4 x 28.3 x 2.65 in)
Weight	4 kg / 8.8 lbs



¹Assumes 3 Solar Modules installed, 1000 lux @ 12 hrs/day

Patent pending. Specifications subject to change.